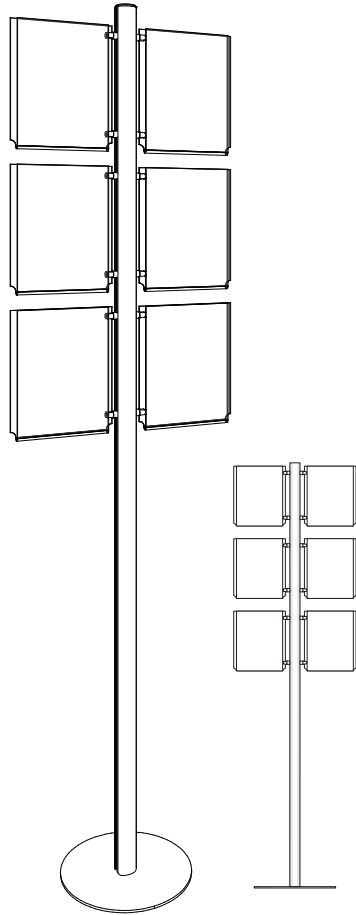


Info-Post Display Stands

HARDWARE LIST & SPECIFICATIONS for DISPLAY KITS KFIP-001 • KFIP-004



KFIP-001

HARDWARE:

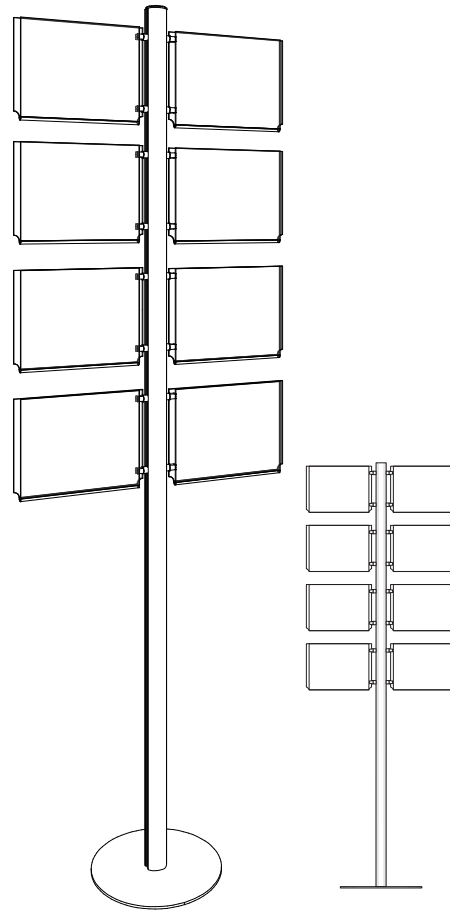
- TR1220/78"/D1 - Vertical Extrusion (1 ea)
- ACS-383 01 - End Cap for TR1220 (1 ea)
- ACS-652 104 - Insert Block (1 ea)
- ACS-625 RND15 - Round Floor Base (1 ea)
- PA8 - Toggle Fixing (12 ea)
- WM01 - Panel Support (12 ea)

ACCESSORIES:

- 18EAAP-8511P - Acrylic Poster Holder (6 ea)
Insert Size: 8.5"W x 11"H

Stand Dimensions: 23"W x 78"H

Weight: 17.8 lbs



KFIP-002

HARDWARE:

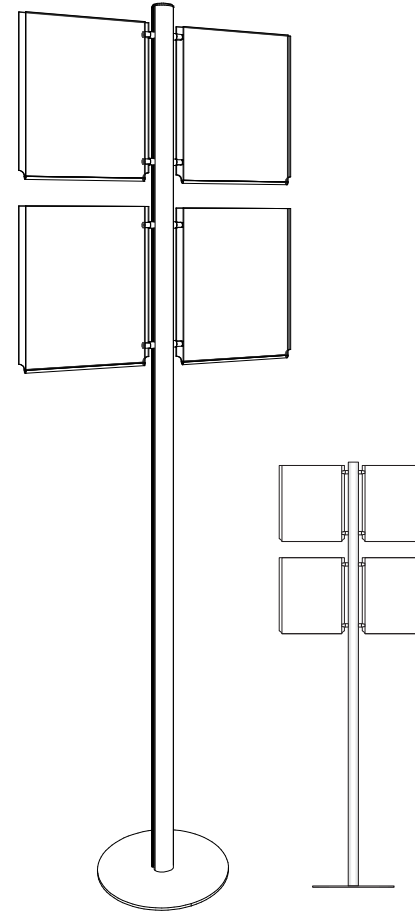
- TR1220/78"/D1 - Vertical Extrusion (1 ea)
- ACS-383 01 - End Cap for TR1220 (1 ea)
- ACS-652 104 - Insert Block (1 ea)
- ACS-625 RND15 - Round Floor Base (1 ea)
- PA8 - Toggle Fixing (16 ea)
- WM01 - Panel Support (16 ea)

ACCESSORIES:

- 18EAAP-8511L - Acrylic Poster Holder (8 ea)
Insert Size: 11"W x 8.5"H

Stand Dimensions: 27.5"W x 78"H

Weight: 19.5 lbs



KFIP-003

HARDWARE:

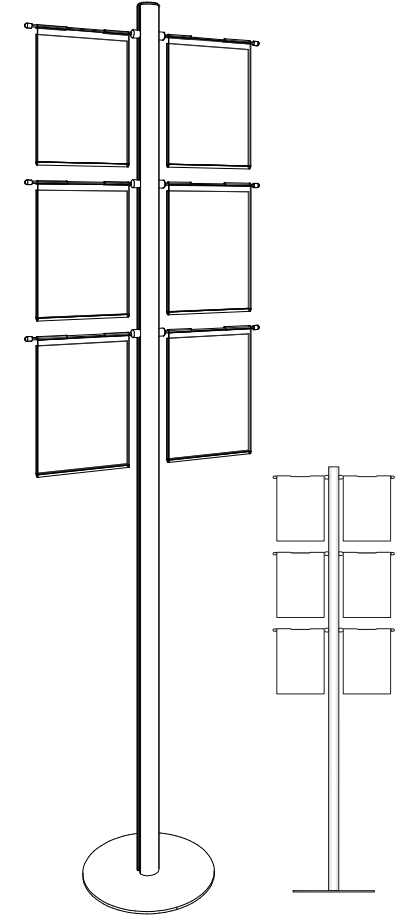
- TR1220/78"/D1 - Vertical Extrusion (1 ea)
- ACS-383 01 - End Cap for TR1220 (1 ea)
- ACS-652 104 - Insert Block (1 ea)
- ACS-625 RND15 - Round Floor Base (1 ea)
- PA8 - Toggle Fixing (8 ea)
- WM01 - Panel Support (8 ea)

ACCESSORIES:

- 18EAAP-1114P - Acrylic Poster Holder (4 ea)
Insert Size: 11"W x 14"H

Stand Dimensions: 27.5"W x 78"H

Weight: 18 lbs



KFIP-004

HARDWARE:

- TR1220/78"/D1 - Vertical Extrusion (1 ea)
- ACS-383 01 - End Cap for TR1220 (1 ea)
- ACS-652 104 - Insert Block (1 ea)
- ACS-625 RND15 - Round Floor Base (1 ea)
- PA8 - Toggle Fixing (6 ea)
- RS - Rod Support (6 ea)
- R500 - Threaded Rod (6 ea) ***CUT TO 9"
- REC - End Cup for Rod (6 ea)

ACCESSORIES:

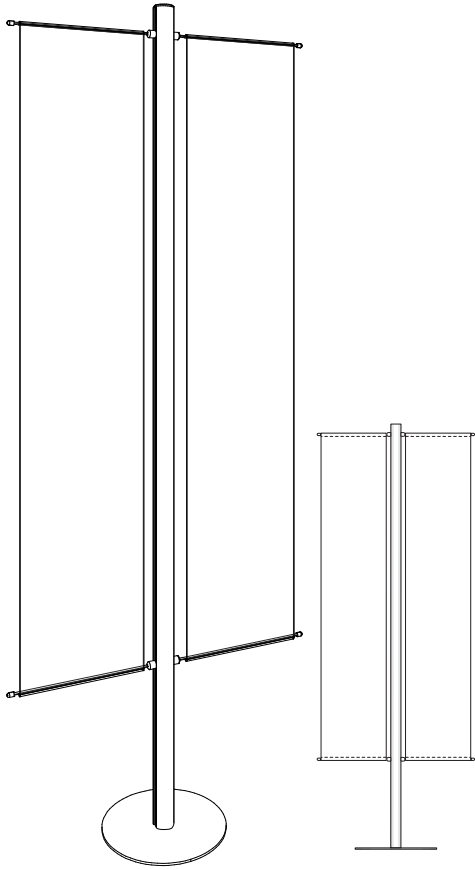
- 18HAP-8511P - Hook-on Acrylic Holder (6 ea)
Insert Size: 8.5"W x 11"H

Stand Dimensions: 23"W x 78"H

Weight: 17.2 lbs

Info-Post Display Stands

HARDWARE LIST & SPECIFICATIONS for DISPLAY KITS KFIP-005 • KFIP-008



KFIP-005

HARDWARE:

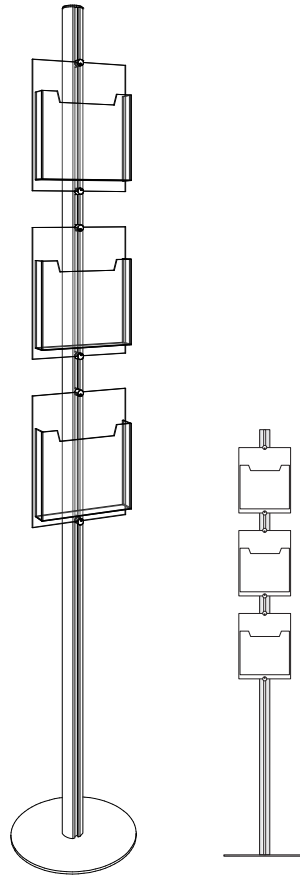
- TR1220/78"/D1 - Vertical Extrusion (1 ea)
- ACS-383 01 - End Cap for TR1220 (1 ea)
- ACS-652 104 - Insert Block (1 ea)
- ACS-625 RND15 - Round Floor Base (1 ea)
- PA8 - Toggle Fixing (4 ea)
- RS - Rod Support (4 ea)
- R500 - Threaded Rod (4 ea) ***CUT TO 12.5"
- REC - End Cup for Rod (4 ea)

ACCESSORIES:

- 12PBAN-1260 - Poly Satin Fabric Banner (2 ea)
- Size: 12"W x 60"H
***Artwork Required

Stand Dimensions: 28.5"W x 78"H

Weight: 14.2 lbs



KFIP-006

HARDWARE:

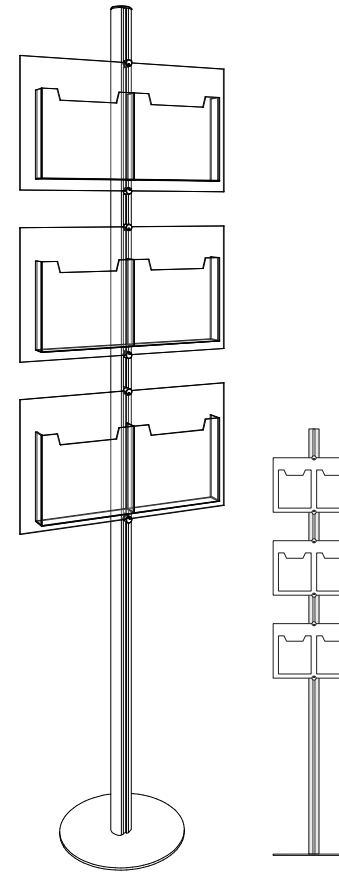
- TR1220/78"/D1 - Vertical Extrusion (1 ea)
- ACS-383 01 - End Cap for TR1220 (1 ea)
- ACS-652 104 - Insert Block (1 ea)
- ACS-625 RND15 - Round Floor Base (1 ea)
- PA8 - Toggle Fixing (6 ea)
- WM09 - Panel Support (6 ea)

ACCESSORIES:

- 14ALD-8511P - Acrylic Dispenser (3 ea)
- Insert Size: 8.5"W x 11"H

Stand Dimensions: 15"W x 78"H

Weight: 18 lbs



KFIP-007

HARDWARE:

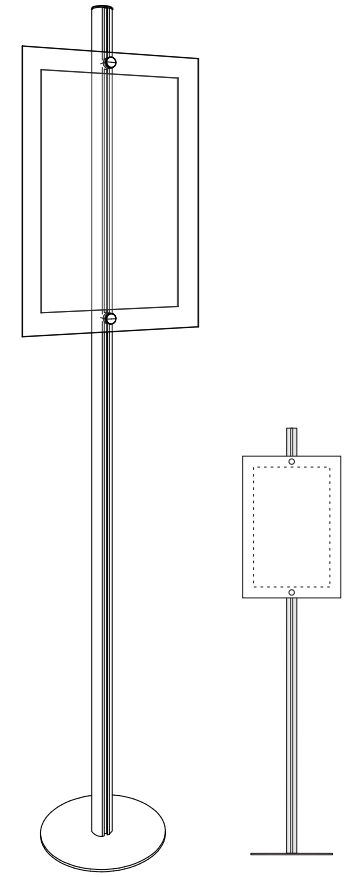
- TR1220/78"/D1 - Vertical Extrusion (1 ea)
- ACS-383 01 - End Cap for TR1220 (1 ea)
- ACS-652 104 - Insert Block (1 ea)
- ACS-625 RND15 - Round Floor Base (1 ea)
- PA8 - Toggle Fixing (6 ea)
- WM09 - Panel Support (6 ea)

ACCESSORIES:

- 14ALD-2-5585P/IP - Acrylic Dispenser (3 ea)
- Insert Size: 5.5"W x 8.5"H

Stand Dimensions: 15"W x 78"H

Weight: 18.9 lbs



KFIP-008

HARDWARE:

- TR1220/78"/D1 - Vertical Extrusion (1 ea)
- ACS-383 01 - End Cap for TR1220 (1 ea)
- ACS-652 104 - Insert Block (1 ea)
- ACS-625 RND15 - Round Floor Base (1 ea)
- PA8 - Toggle Fixing (2 ea)
- WM15 - Panel Support (2 ea)

ACCESSORIES:

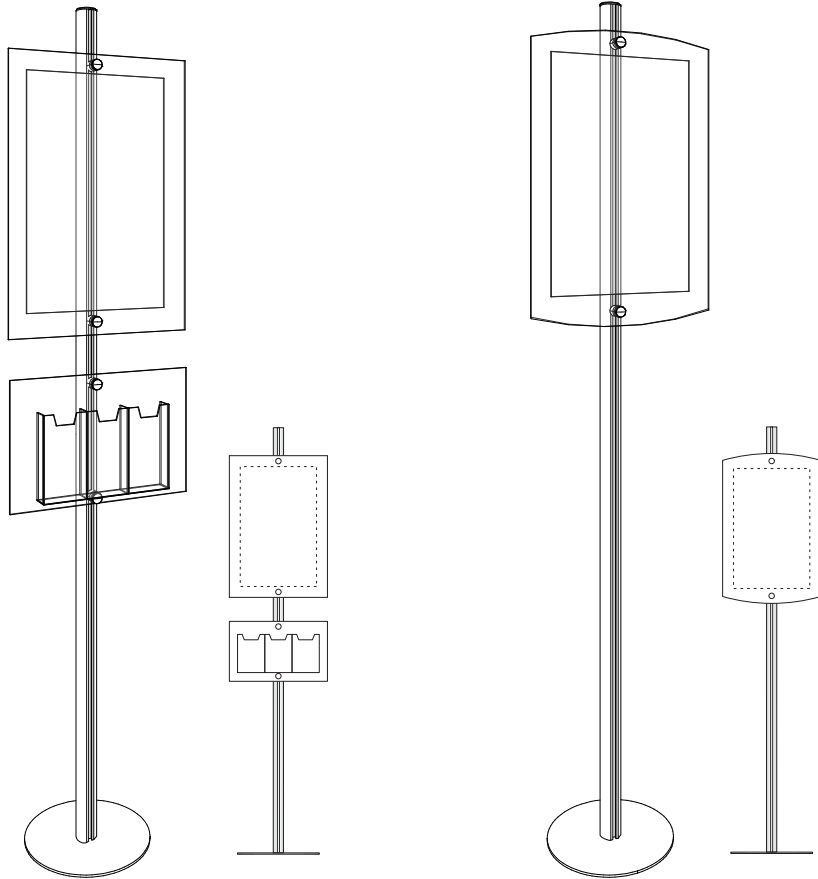
- 14ASP-1422/IP - Clear Acrylic Panel (1 ea)
 - 18ASP-1422NG/IP - Non-Glare Panel (1 ea)
- Insert Size: 14"W x 22"H

Stand Dimensions: 18"W x 78"H

Weight: 16.9 lbs

Info-Post Display Stands

HARDWARE LIST & SPECIFICATIONS for DISPLAY KITS KFIP-009 • KFIP-010



KFIP-009

HARDWARE:

- TR1220/78"/D1 - Vertical Extrusion (1 ea)
- ACS-383 01 - End Cap for TR1220 (1 ea)
- ACS-652 104 - Insert Block (1 ea)
- ACS-625 RND15 - Round Floor Base (1 ea)
- PA8 - Toggle Fixing (4 ea)
- WM15 - Panel Support (4 ea)

ACCESSORIES:

- 14ASP-1422/IP - Clear Acrylic Panel (1 ea)
- 18ASP-1422NG/IP - Non-Glare Panel (1 ea)
Insert Size: 14"W x 22"H
- 14ALD-3-3585P/IP - Acrylic Dispenser (1 ea)
Insert Size: 3.5"W x 8.5"H (Tri-Fold)

Stand Dimensions: 18"W x 78"H

 Weight: 21 lbs

KFIP-010

HARDWARE:

- TR1220/78"/D1 - Vertical Extrusion (1 ea)
- ACS-383 01 - End Cap for TR1220 (1 ea)
- ACS-652 104 - Insert Block (1 ea)
- ACS-625 RND15 - Round Floor Base (1 ea)
- PA8 - Toggle Fixing (2 ea)
- WM15 - Panel Support (2 ea)

ACCESSORIES:

- 14ASP-2CR-1422/IP - Clear Acrylic Panel (1 ea)
- 18ASP-2CR-1422NG/IP - Non-Glare Panel (1 ea)
Insert Size: 14"W x 22"H

Stand Dimensions: 18"W x 78"H

 Weight: 17 lbs