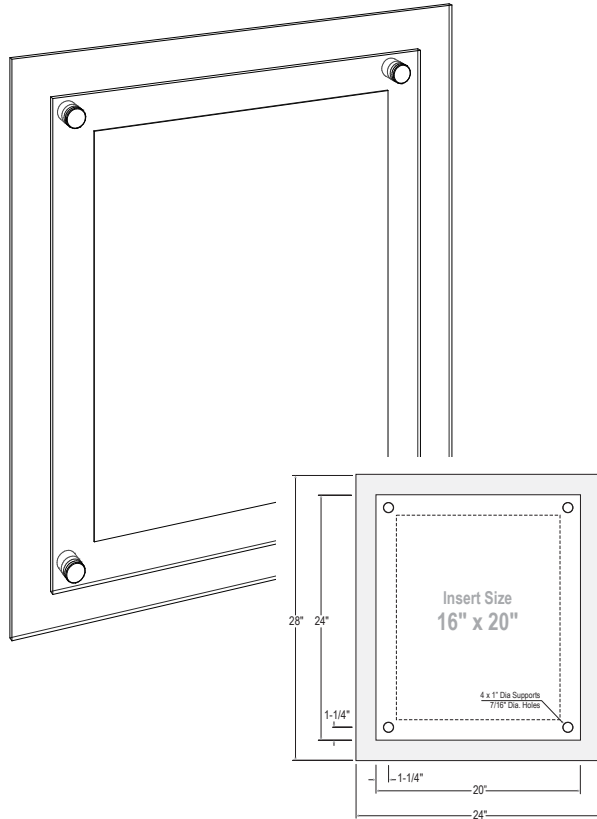


# Accent Series Sandwich Acrylic Panels

FRAMELESS POSTER DISPLAY KITS KASP-038 • KASP-040



**KASP-038**

**HARDWARE:**

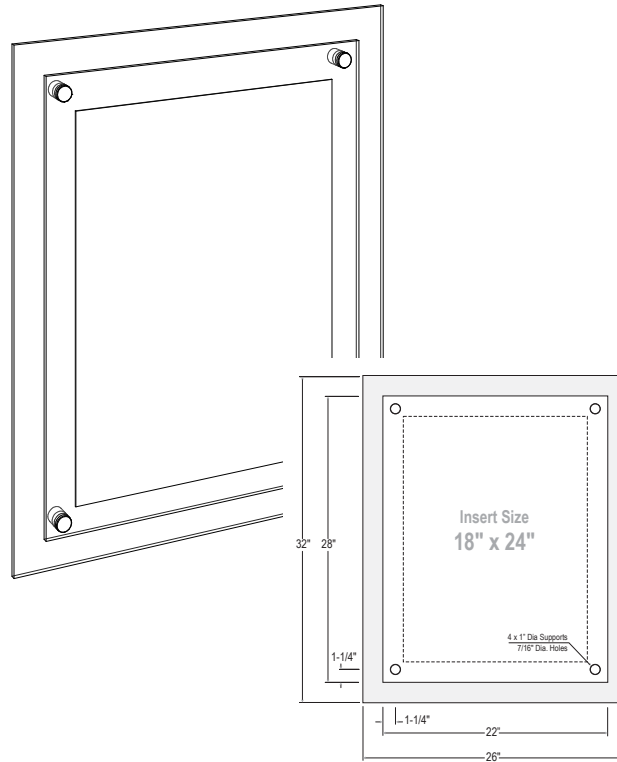
- WM15 - Panel Support (1" Dia. x 1" Length) (4 ea)
- PWM05 - Base Support (1" Dia. x 1" Length) (4 ea)
- PC31 - Joiner (4 ea)
- P19W - Screw Set for Wall Mounting (4 ea)

**ACCESSORIES:**

- 36ASP-BP-2024FR/H - 3/16" Frosted Acrylic Back Panel (1 ea)  
Panel Size: 24" x 28"
- 18ASP-2024/H - 1/8" Clear Acrylic Panel (1 ea)  
Panel Size: 20" x 24"
- 18ASP-2024NG/H - 1/8" Non-Glare Panel (1 ea)  
Panel Size: 20" x 24"

\*\*\*Poster Insert Size: 16" x 20"

Weight: 15.1 lbs



**KASP-039**

**HARDWARE:**

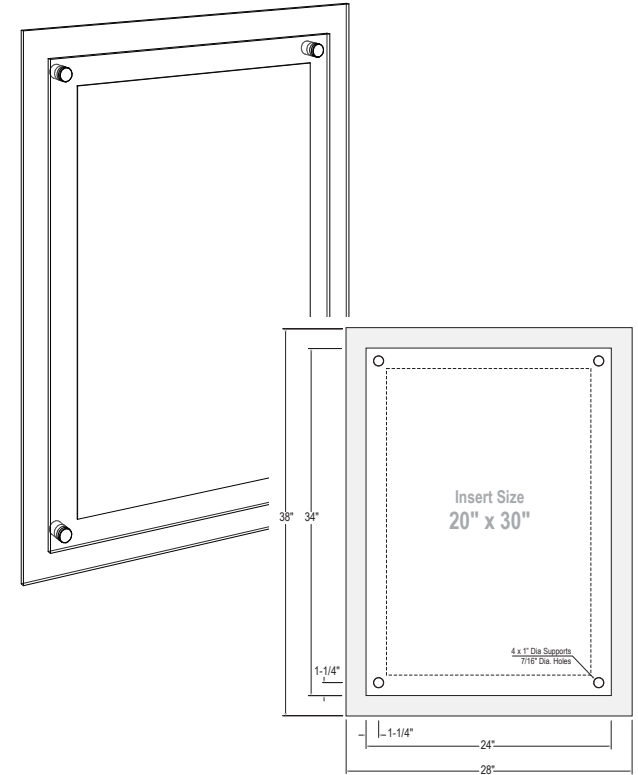
- WM15 - Panel Support (1" Dia. x 1" Length) (4 ea)
- PWM05 - Base Support (1" Dia. x 1" Length) (4 ea)
- PC31 - Joiner (4 ea)
- P19W - Screw Set for Wall Mounting (4 ea)
- 14CLIP - 1/4" Clear Clip (4 ea)

**ACCESSORIES:**

- 36ASP-BP-2228FR/H - 3/16" Frosted Acrylic Back Panel (1 ea)  
Panel Size: 26" x 32"
- 18ASP-2228/H - 1/8" Clear Acrylic Panel (1 ea)  
Panel Size: 22" x 28"
- 18ASP-2228NG/H - 1/8" Non-Glare Panel (1 ea)  
Panel Size: 22" x 28"

\*\*\*Poster Insert Size: 18" x 24"

Weight: 19.2 lbs



**KASP-040**

**HARDWARE:**

- WM15 - Panel Support (1" Dia. x 1" Length) (4 ea)
- PWM05 - Base Support (1" Dia. x 1" Length) (4 ea)
- PC31 - Joiner (4 ea)
- P19W - Screw Set for Wall Mounting (4 ea)
- 14CLIP - 1/4" Clear Clip (4 ea)

**ACCESSORIES:**

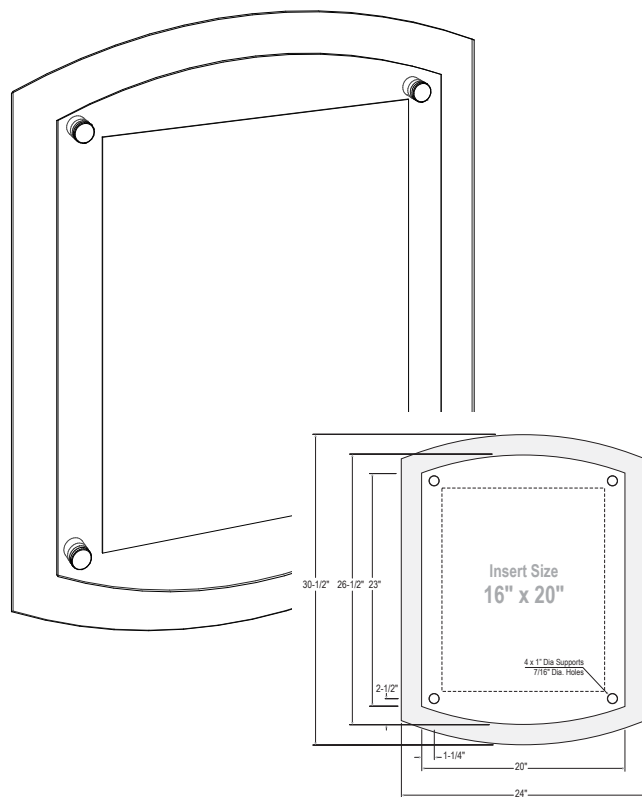
- 36ASP-BP-2434FR/H - 3/16" Frosted Acrylic Back Panel (1 ea)  
Panel Size: 28" x 38"
- 18ASP-2434/H - 1/8" Clear Acrylic Panel (1 ea)  
Panel Size: 24" x 34"
- 18ASP-2434NG/H - 1/8" Non-Glare Panel (1 ea)  
Panel Size: 24" x 34"

\*\*\*Poster Insert Size: 20" x 30"

Weight: 24.7 lbs

# Accent Series Sandwich Acrylic Panels

## FRAMELESS POSTER DISPLAY KITS KASP-041 • KASP-043



### KASP-041

**HARDWARE:**

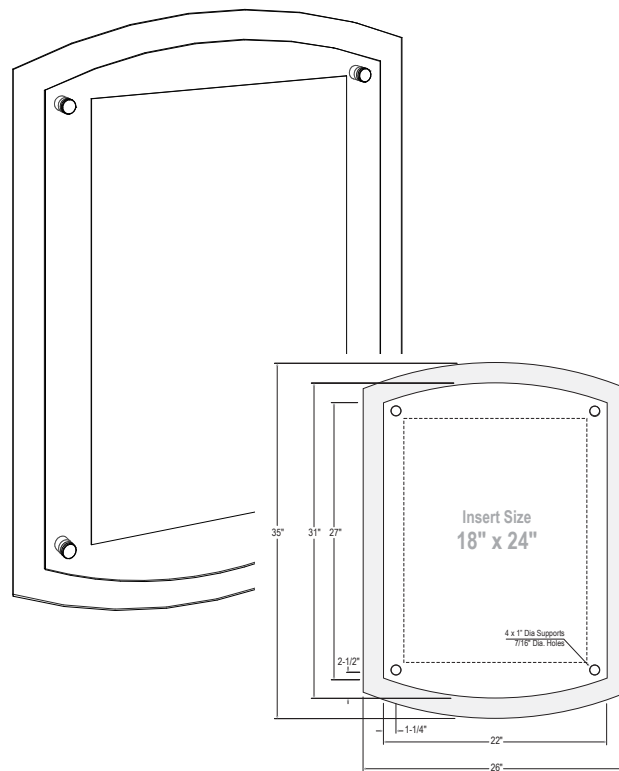
- WM15 - Panel Support (1" Dia. x 1" Length) (4 ea)
- PWM05 - Base Support (1" Dia. x 1" Length) (4 ea)
- PC31 - Joiner (4 ea)
- P19W - Screw Set for Wall Mounting (4 ea)

**ACCESSORIES:**

- 36ASP-2CR-1620FR/BP - 3/16" Frosted Acrylic Back Panel (1 ea)  
Panel Size: 24" x 30.1"
- 18ASP-2CR-1620/H - 1/4" Clear Acrylic Back Panel (1 ea)  
Panel Size: 20" x 26.5" / Arched Top & Bottom
- 18ASP-2CR-1620NG/H - 1/8" Non-Glare Front Panel (1 ea)  
Panel Size: 20" x 26.5" / Arched Top & Bottom

\*\*\*Poster Insert Size: 16" x 20"

Weight: 19 lbs



### KASP-042

**HARDWARE:**

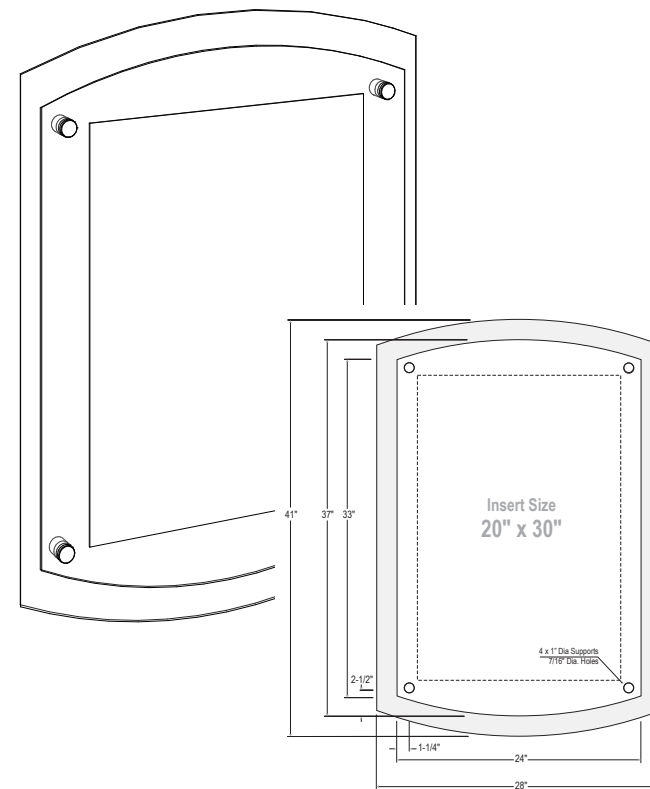
- WM15 - Panel Support (1" Dia. x 1" Length) (4 ea)
- PWM05 - Base Support (1" Dia. x 1" Length) (4 ea)
- PC31 - Joiner (4 ea)
- P19W - Screw Set for Wall Mounting (4 ea)
- 14CLIP - 1/4" Clear Clip (4 ea)

**ACCESSORIES:**

- 36ASP-2CR-1824FR/BP - 3/16" Frosted Acrylic Back Panel (1 ea)  
Panel Size: 26" x 35"
- 18ASP-2CR-1824/H - 1/4" Clear Acrylic Back Panel (1 ea)  
Panel Size: 22" x 31" / Arched Top & Bottom
- 18ASP-2CR-1824NG/H - 1/8" Non-Glare Front Panel (1 ea)  
Panel Size: 22" x 31" / Arched Top & Bottom

\*\*\*Poster Insert Size: 18" x 24"

Weight: 23.2 lbs



### KASP-043

**HARDWARE:**

- WM15 - Panel Support (1" Dia. x 1" Length) (4 ea)
- PWM05 - Base Support (1" Dia. x 1" Length) (4 ea)
- PC31 - Joiner (4 ea)
- P19W - Screw Set for Wall Mounting (4 ea)
- 14CLIP - 1/4" Clear Clip (4 ea)

**ACCESSORIES:**

- 36ASP-2CR-2030FR/BP - 3/16" Frosted Acrylic Back Panel (1 ea)  
Panel Size: 28" x 41"
- 18ASP-2CR-2030/H - 1/4" Clear Acrylic Back Panel (1 ea)  
Panel Size: 24" x 37" / Arched Top & Bottom
- 18ASP-2CR-2030NG/H - 1/8" Non-Glare Front Panel (1 ea)  
Panel Size: 24" x 37" / Arched Top & Bottom

\*\*\*Poster Insert Size: 20" x 30"

Weight: 27.3 lbs