

6mm Rod Display Systems - INSTALLATION GUIDELINES

WM11 & RS03 Rod Support Fixing

IMPORTANT: It is essential to choose the right type screw for fixing these supports to your wall, see diagrams below.

1) Select the first point at which rod is to start. Fix the brass fitting (A) or P02 nickel support (A1) to wall, using a suitable fixing for the type of wall:

- for wooden walls use a wood screw.
- for a cavity wall use a spring toggle bolt.
- for a solid wall use a rawlplug and screw.

2) Using a measuring tape and a leveler, mark all fixing points as required, in order to fit your acrylic pocket format or any other hook-on acrylic accessories and repeat procedure for all brass fittings (A-A1).

3) Fix all wall supports (B-B1) onto the brass fittings (A-A1).

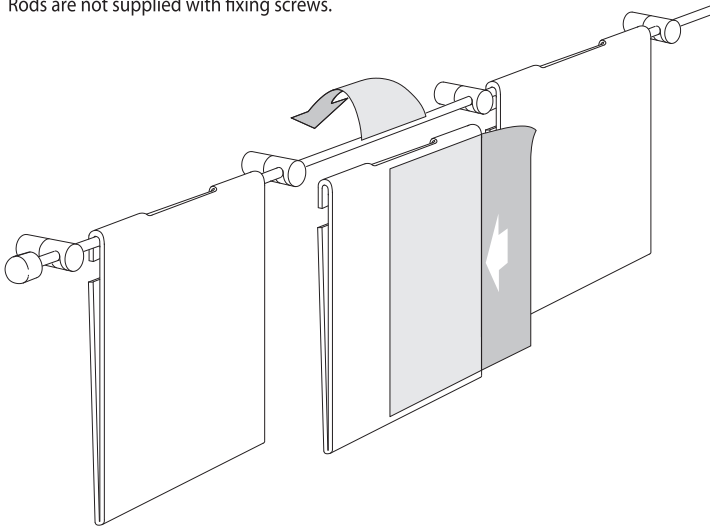
4) Un-tighten the set screws on the wall supports (B-B1) and slide the rod (C-C1) into the open cavities at required position, and tighten back the set screws with Allen Key provided. Rod needs to be cut to size before attaching to the wall.

5) Attache the decorative end cap (D-D1) to both ends of rod.

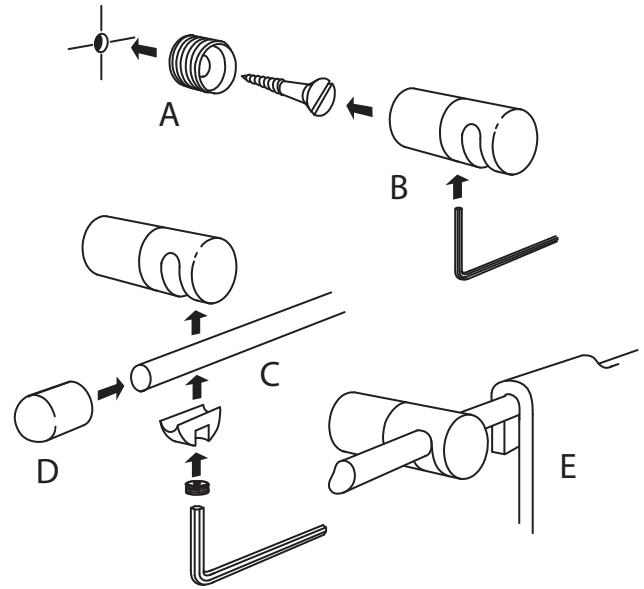
5) Attache your acrylic accessories (E) to the rod.

N.B. It is important to check the strength of the wall fixings. No responsibility will be taken for incorrect fixing. This responsibility rests with the installer.

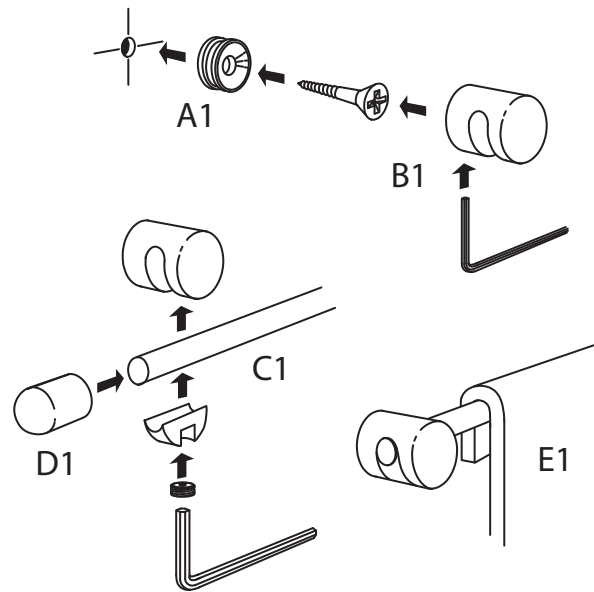
Rods are not supplied with fixing screws.



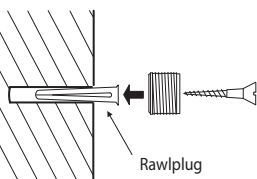
WM11 Support Mounting



RS03 Support Mounting

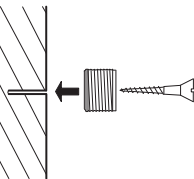


Concrete



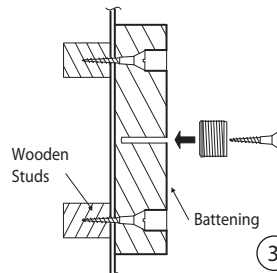
1

Wood



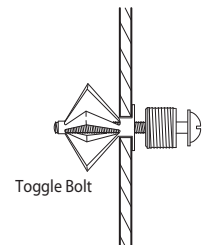
2

Lathe & Plaster



3

Plasterboard



4