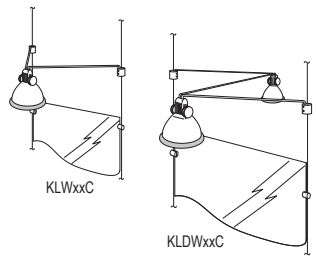


ILLUMINATED POSTER KITS - CABLE SUSPENDED WINDOW DISPLAYS

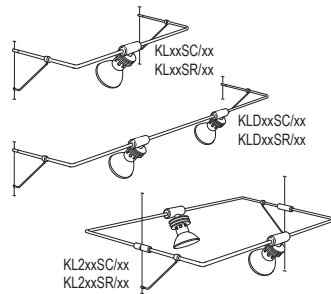
Cable/Rod low-voltage lighting are available in various configurations: Wirelights - available as single (50W) or double (2 x 50W) options, lamps are non-adjustable, angled straight down to give a good overall spread of light, elegant, cost-effective way to illuminate any display supported on cables; Cantilevered Lights - available in either single (50W) or double (2 x 50W) options, ideal for graphic panels or posters; Extra Wide Lights - available in width up to 1000mm, ideal for lighting very large panels. Add low voltage lighting to your cable or rod displays to increase visual impact. Simple, streamline and unobtrusive, the cables are almost invisible to the eye. They offer total flexibility, allow easy, speed updates of display materials, and help to open up your promotional area to energizing light and space, ensuring that essential information is more easily absorbed.

Lighting Options

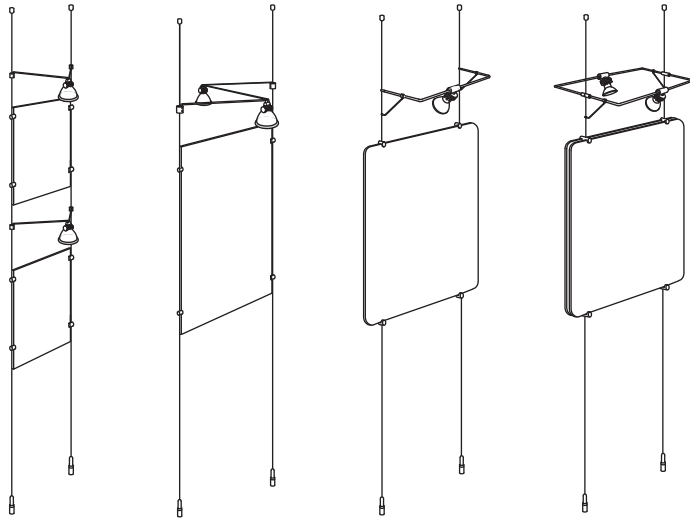
WireLights



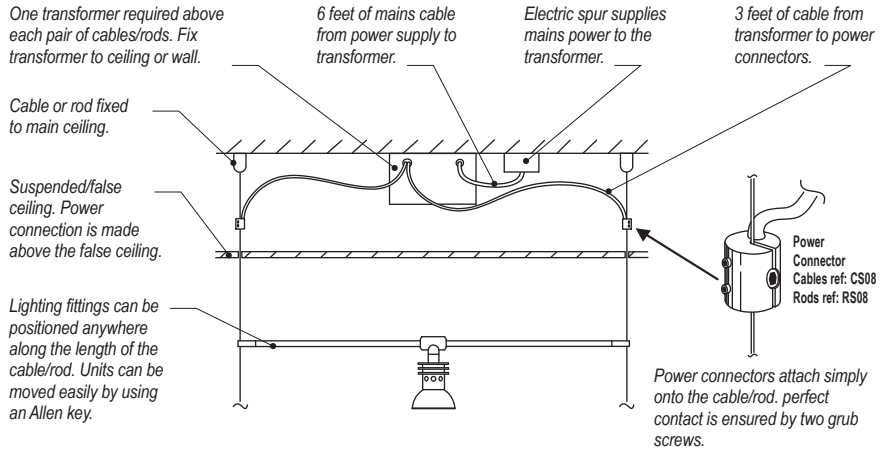
Cantilevered Lights



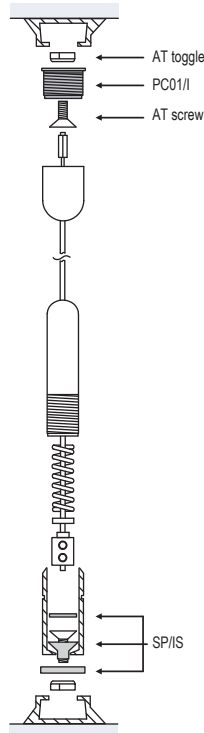
Poster Configurations



HOW THE LIGHTING WORKS:



Helpful hints and tips:



When ordering, don't forget to specify...

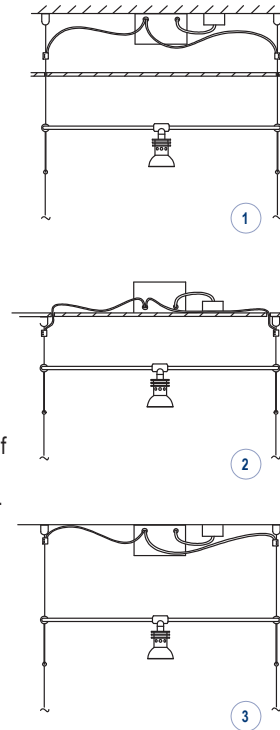
- insulated cables on all exhibition installations (see page 2).
- isolators top and bottom when using AC or ACD channel.
- isolators when you have a metal floor or ceiling (see page 2).

No false ceiling? No problem...

- ensure electrical spur is next to transformer.
- position transformer at the base of the installation in a plinth, cupboard or in an artificial planter.

Special configurations?...

- remember, one transformer per pair of cables.
- for light configurations other than those above, please call.



LOW-VOLTAGE LIGHTING

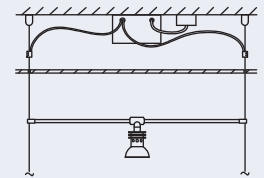
HOW MANY LIGHTS CAN I PUT ON ONE PAIR OF CABLES?

The answer to this lies in the type of light you have selected.

Single lights are powered on a 12V system and are supplied with a 60W transformer.

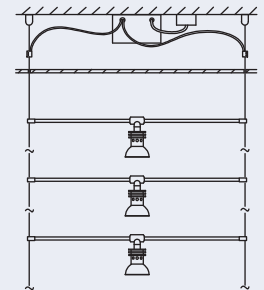
This means on one pair of cables fitted with a 60W transformer you can have:

1 x 50W Light



or

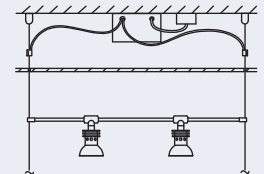
Up to 3 x 20W Lights



Double lights are powered on 24V system and are supplied with a 100W transformer.

This means on one pair of cables fitted with a 100W transformer you can have:

2 x 50W Lights



DRAWN BY	IV	TITLE	Cable Display Systems		
DATE	06/10/05	SCALE	NTS	TYPE	ILLUMINATED POSTER DISPLAYS
DRWG REF.	Cables. PDF				