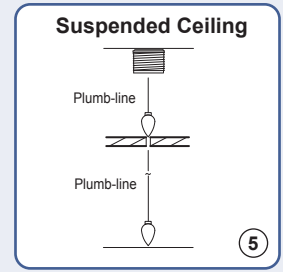
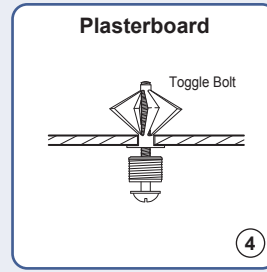
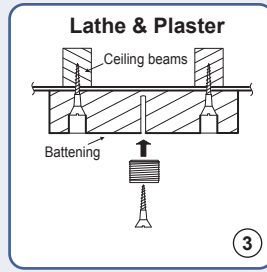
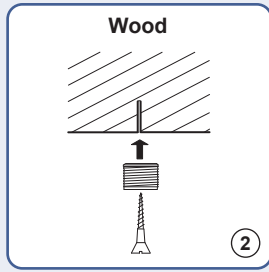
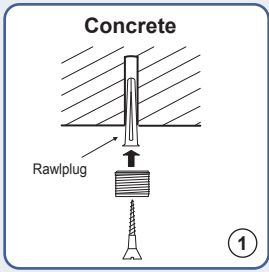


# 1.5mm Cable Display Systems - INSTALLATION GUIDELINES



## Top to Bottom (CA4) - Cable Installation

**IMPORTANT:** It is essential to check that the top ceiling fixings are strong enough to take the weight of the items being displayed, whilst allowing for the tension in the cables.

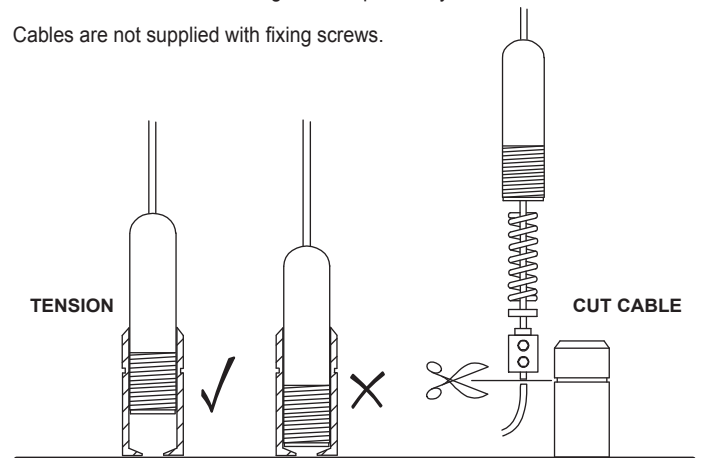
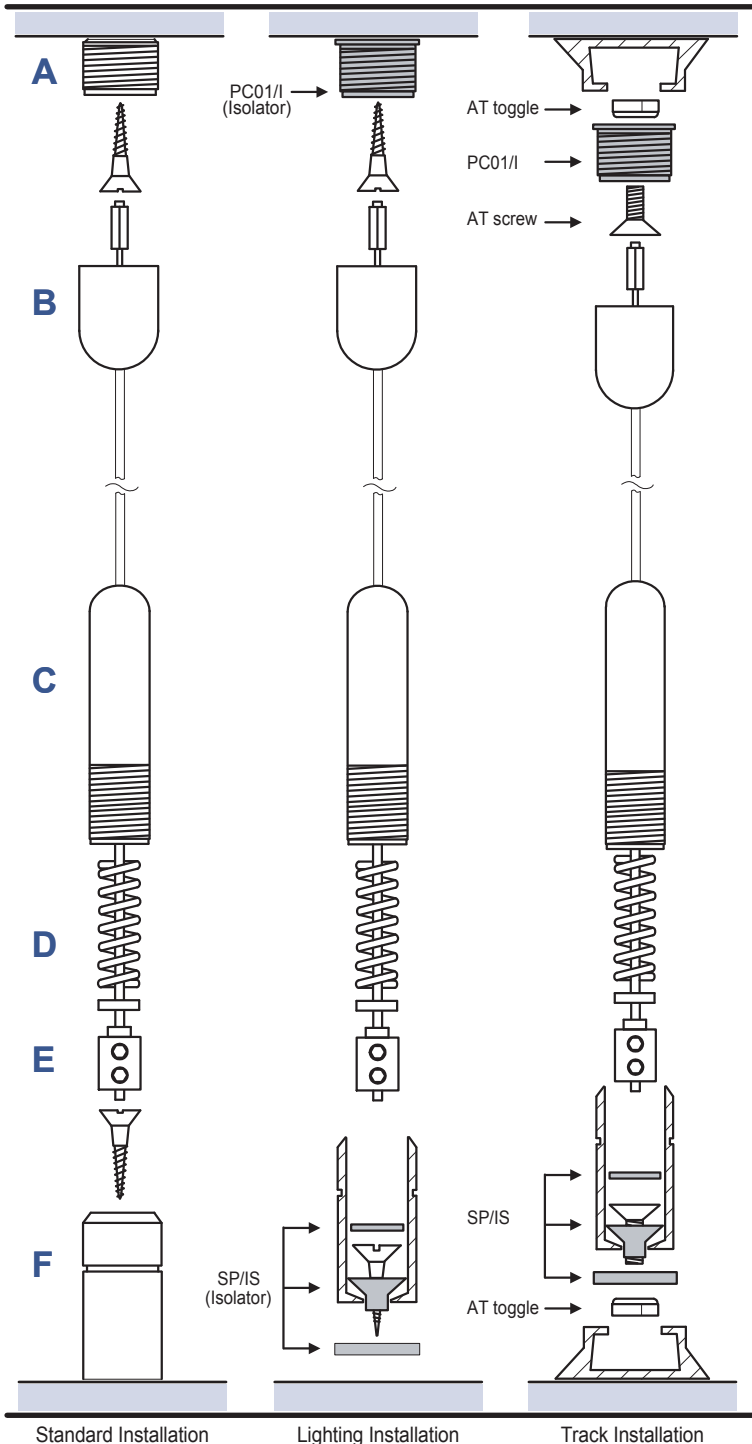
Isolators must be used where power is required through the cables (lighting etc) and fixings are into metal or conductive materials.

When fitting isolated cables remember to replace the top brass fitting with the plastic **PC01/I** isolator and add bottom isolator **SP/IS** to bottom fitting.

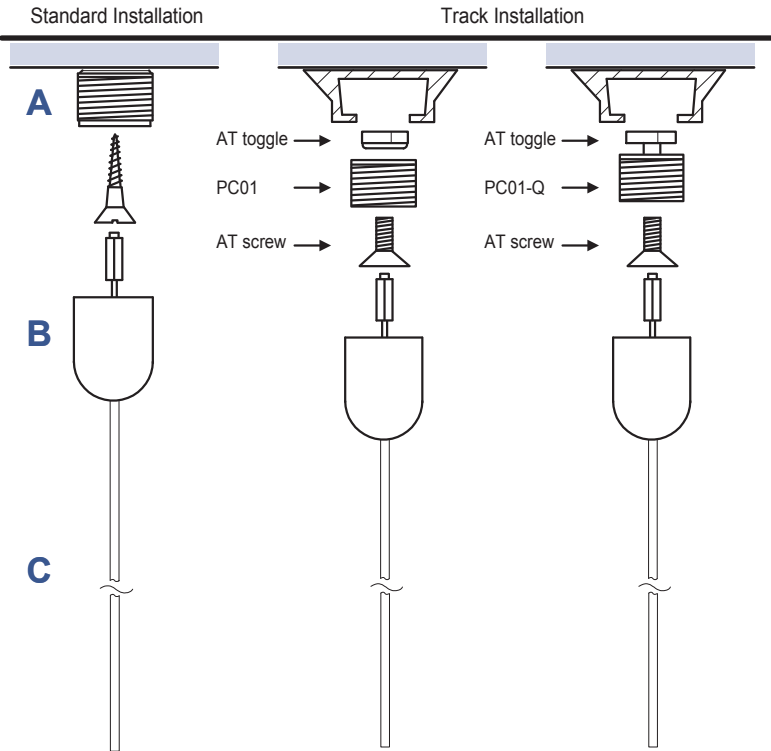
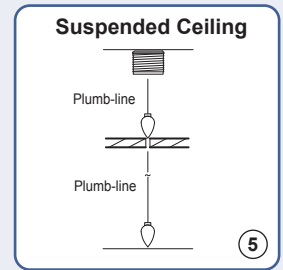
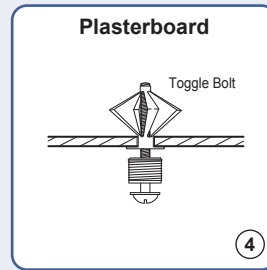
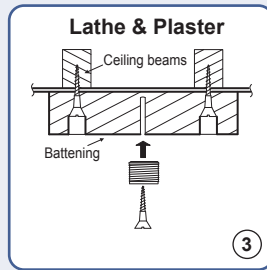
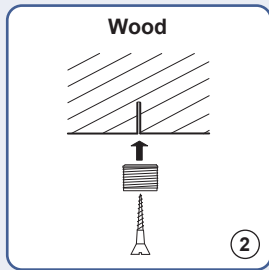
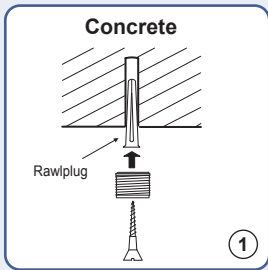
- 1) Fix fitting (A) to ceiling:
  - for wooden ceilings use a wood screw.
  - for cavity ceilings use a spring toggle bolt.
  - for solid ceilings use a rawlplug and screw.
- 2) Screw fitting (B) to fitting (A).
- 3) Using a plumb-line, plumb down from (A) and fix (F) to floor using appropriate type of fixing. For isolated cable remember to include the **SP/IS**.
- 4) Loosen the grub screws in fitting (E), using the allen key provided and slide fittings (C), (D) and (E) up the cable.
- 5) Pull down the cable and cut off in line with the decorative line around fitting (F) (see below).
- 6) Re-tighten (E) on the end of the cable.
- 7) Adjust the tension of the cable by screwing (C) into (F).

**N.B.** It is important to check the strength of the top fixing. No responsibility will be taken for incorrect fixing. This responsibility rests with the installer.

Cables are not supplied with fixing screws.



# 1.5mm Cable Display Systems - INSTALLATION GUIDELINES



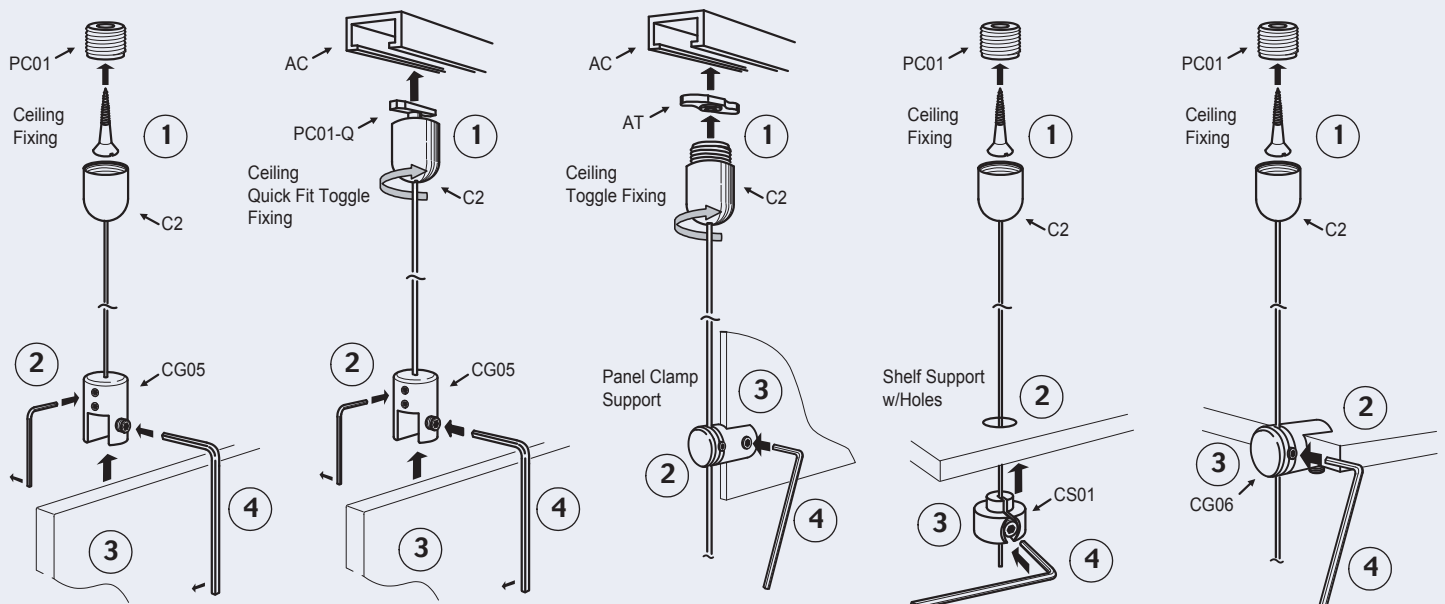
## Top (C2) - Cable Installation

**IMPORTANT:** It is essential to check that the top ceiling fixings are strong enough to take the weight of the items being displayed, whilst allowing for the tension in the cables.

- 1) Fix fitting (A) to ceiling:
  - for wooden ceilings use a wood screw.
  - for cavity ceilings use a spring toggle bolt.
  - for solid ceilings use a rawlplug and screw.
- 2) For Channel Fixing use Quick Fit Toggle (PC01-Q) or Toggle (AT)
- 3) Screw fitting (B) to fitting (A).
- 3) To complete the application attach to cable the panel or shelf fittings at desire location.

**N.B.** It is important to check the strength of the top fixing. No responsibility will be taken for incorrect fixing. This responsibility rests with the installer.

Cables are not supplied with fixing screws.



# 1.5mm Cable Display Systems - INSTALLATION GUIDELINES

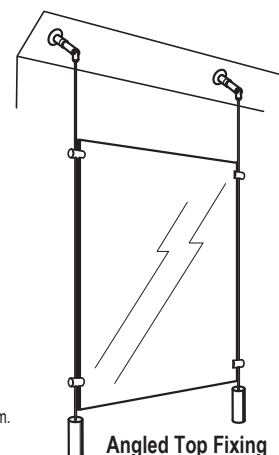
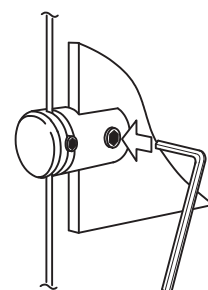
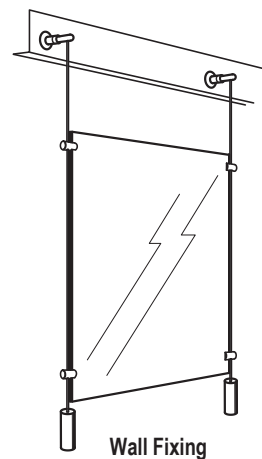
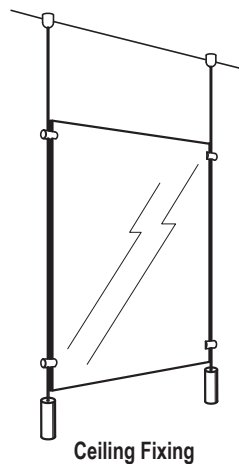
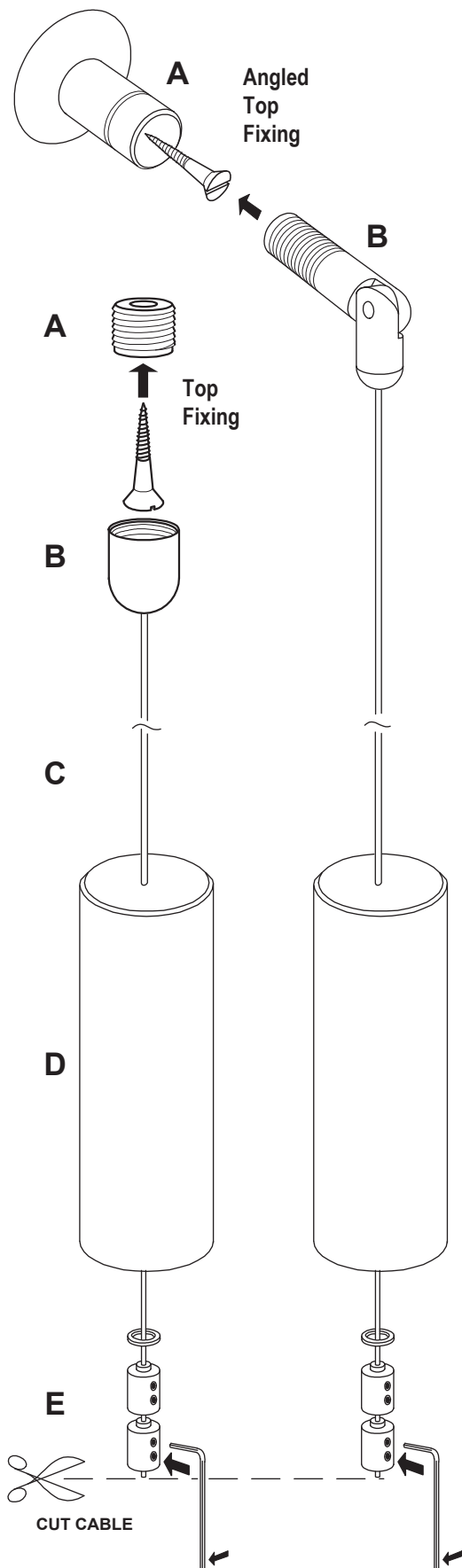
## WEIGHTED BOTTOM (CCT & CAT) - Cable Installation

**IMPORTANT:** It is essential to check that the top ceiling fixings are strong enough to take the weight of the items being displayed, whilst allowing for the tension in the cables.

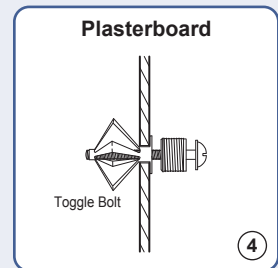
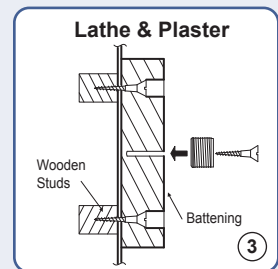
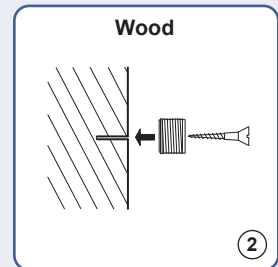
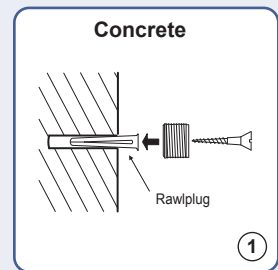
- 1) Select the upper height at which cable is to start. Fix base fitting (A-B) to wall/ceiling, using a suitable fixing for the type of wall:
  - for wooden walls use a wood screw.
  - for a cavity wall use a spring toggle bolt.
  - for a solid wall use a rawlplug and screw.
- 2) Loosen the grub screws in fitting (E), using the allen key provided and slide fittings (E), weight (D) up the cable.
- 3) Pull down the cable and cut off at desire lenght.
- 4) Re-tighten fittings (E) on the end of the cable.

**N.B.** It is important to check the strength of the top fixing. No responsibility will be taken for incorrect fixing. This responsibility rests with the installer.

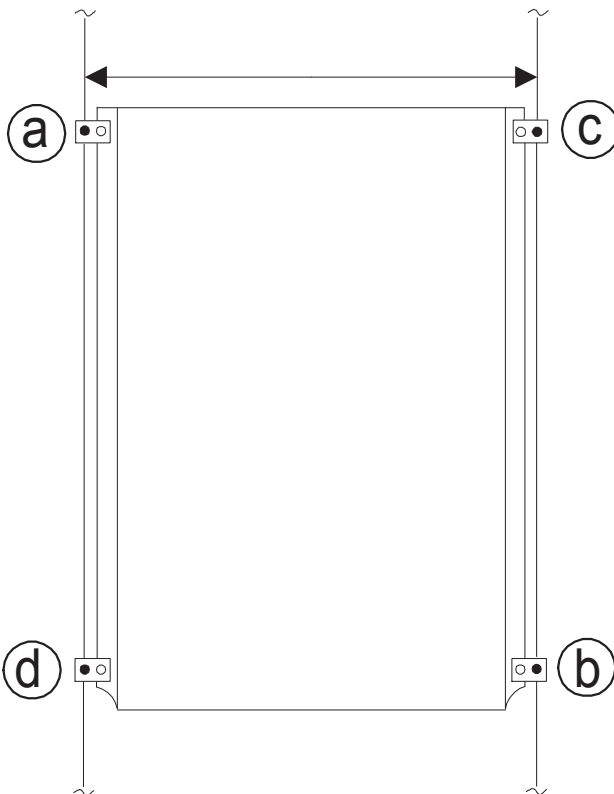
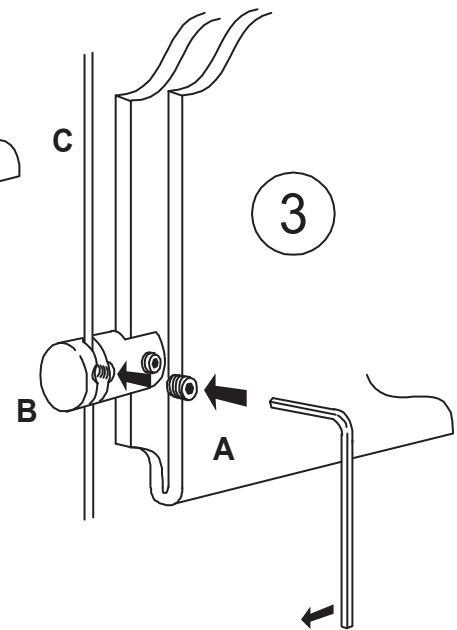
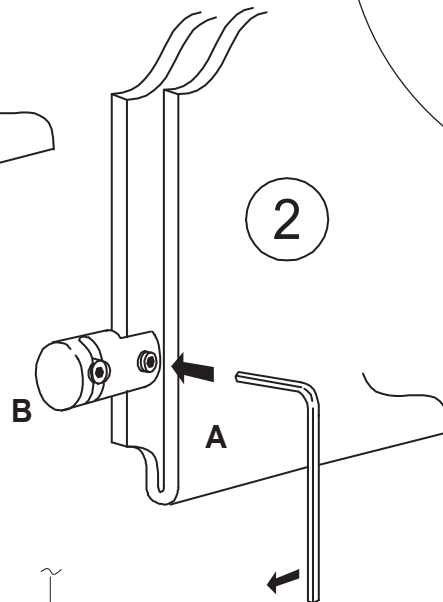
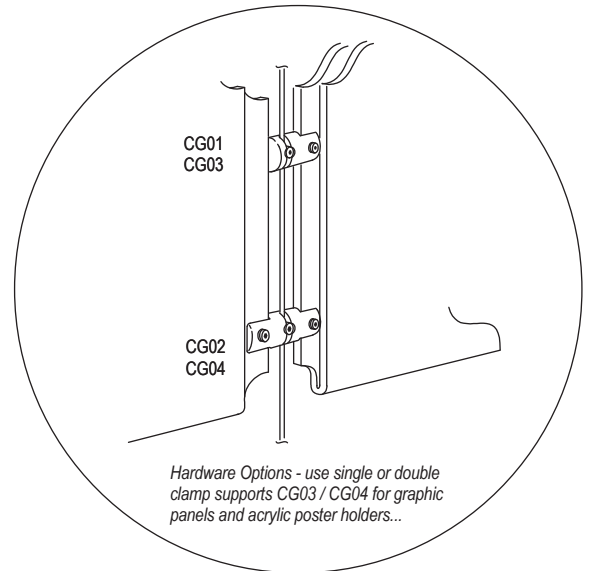
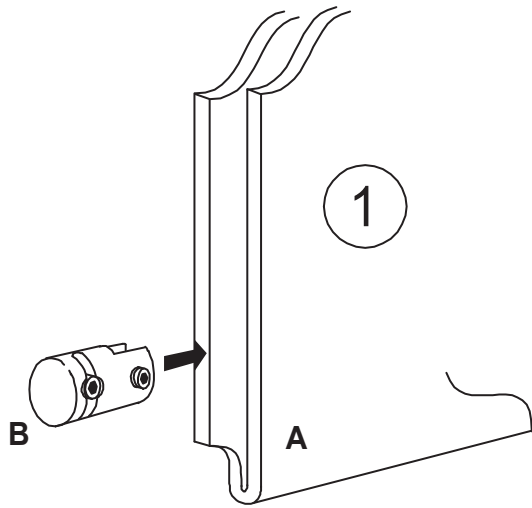
Cables are not supplied with fixing screws.



Graphic/art panels, posters, mirrors, etc. - suspended using cables suspensions system. It can be fixed direct to the wall, ceiling, channel, or angled surfaces.



# EASY ACCESS POSTER HOLDER - INSTALLATION GUIDELINES



## Easy Access Acrylic Pocket - Cable Attachment

- 1) Insert the pocket (A) into the jaws of fittings (B) and tighten with the allen-key supplied. The working side of the fitting should face the rear of the display. Be careful not to over tighten as this may damage the pocket.
- 2) Ensure that the fittings are lined upon either side of the pocket.
- 3) Fit the pocket to the cable (C) and lightly tighten the grub screws in the order shown in the left diagram.
- 5) Repeat the procedure to complete the top row of pockets. Use a spirit level to check that the pockets are level.
- 6) Repeat this procedure to fit the other pockets, leaving 50mm between each row.