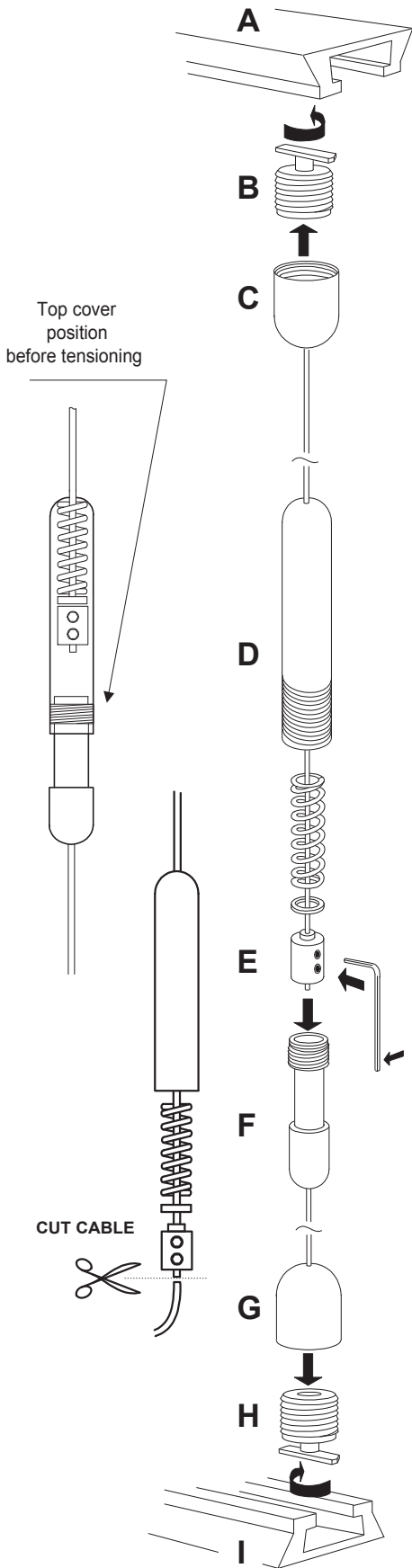


1.5mm Cable Display Systems - INSTALLATION GUIDELINES



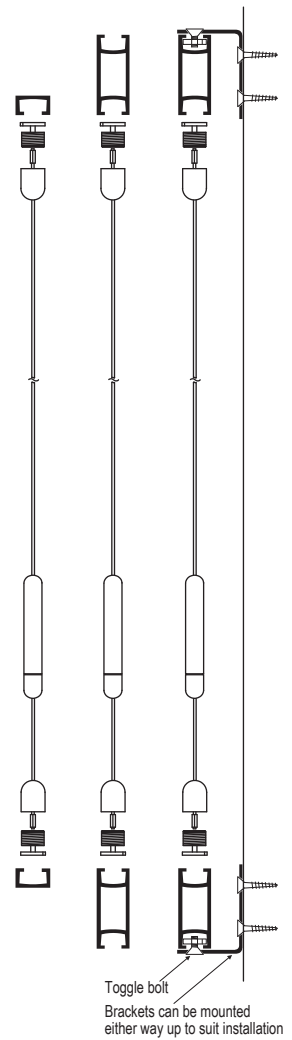
Quick Fit Cable (CQQ) - Channel Installation

IMPORTANT: As the top of the cable is being attached to track, be certain that the track is attached securely to the ceiling, as it must now bear the weight of the display. It is recommended that the track be anchored to a solid structure in the ceiling, at least every 18". The strength of this assembly will be dependent on the security of the attachment.

- 1) Screw the Quick Fit Toggle (B) into Top Support (C), if it is not already screwed into the Top Support.
- 2) As indicated in the drawing, place the Toggle into the track (A), with Part (C) resting on the two lips of the track.
- 3) Turn part (C) the Top Support, clockwise to tighten the toggle against the inside of the two lips of the track. Be certain that the wings of the toggle have turned and have caught on the lips of the track securely.
- 4) Using a plumb-line, plumb down from (B) and repeat the procedure for installation the Bottom Support (G) with Toggle Fixing (H) into the floor track (I).
- 5) Separate the two sections of part (D) and (F) and loosen the grub screws in the small brass piece (E) using the Allen Key provided and slide fittings up the cable to the desired length. (Do not remove from cable).
- 6) Having selected the required length, re-tighten the brass fitting and cut off the surplus cable.
- 7) Re-connect the two sections (D) and (F) and tighten to adjust tension.

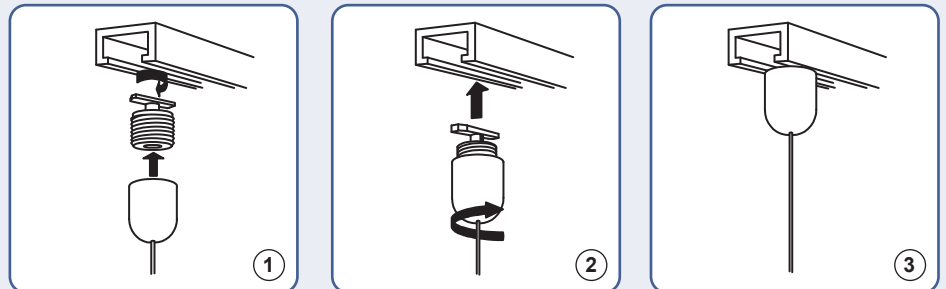
N.B. It is important to check the strength of the top fixing. No responsibility will be taken for incorrect fixing. This responsibility rests with the installer.

Cables are not supplied with fixing screws.

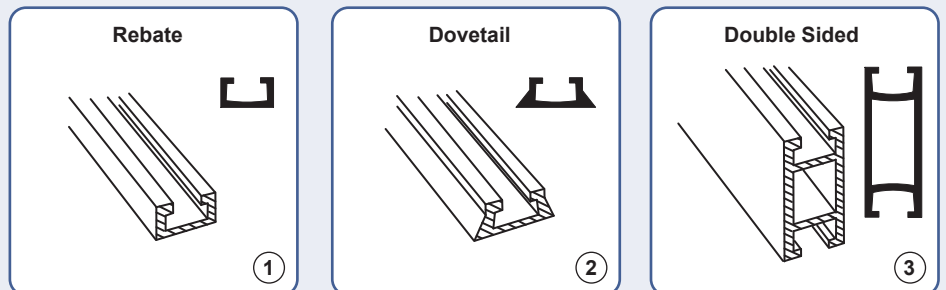


MOUNTING OPTIONS

Quick Fit Toggle (PC01-Q) - Channel Attachment

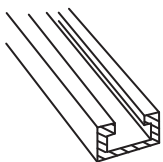


Various Type of Channel



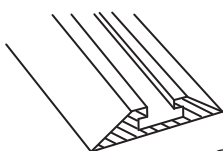
Gallery Display Systems - CHANNEL ASSEMBLY

Rebate



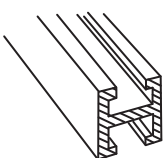
1

Threshold



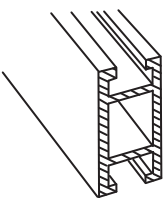
2

Double Sided



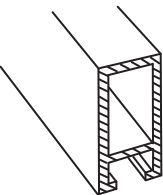
3

Double Sided



4

Profile



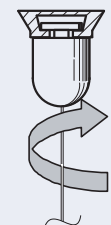
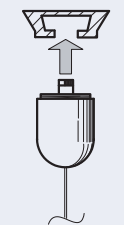
5



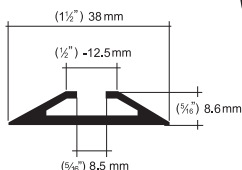
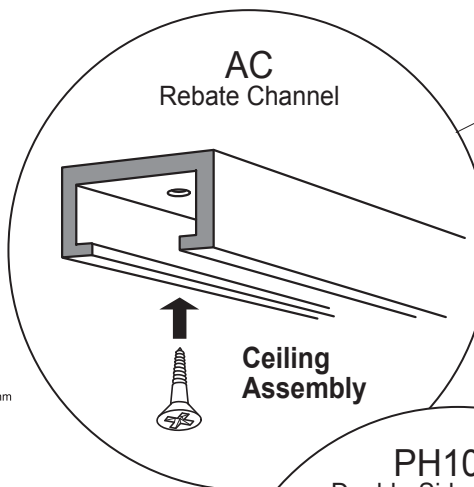
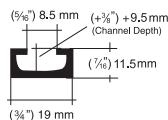
UNLOCKED



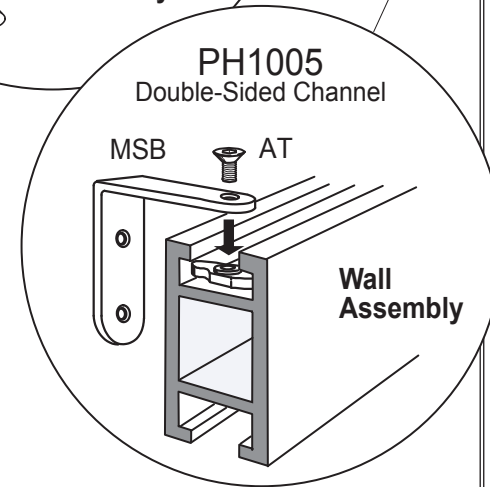
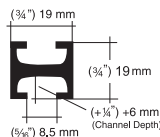
LOCKED



Various Type of Channel

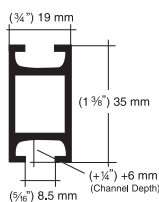
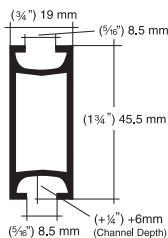


Ceiling Assembly

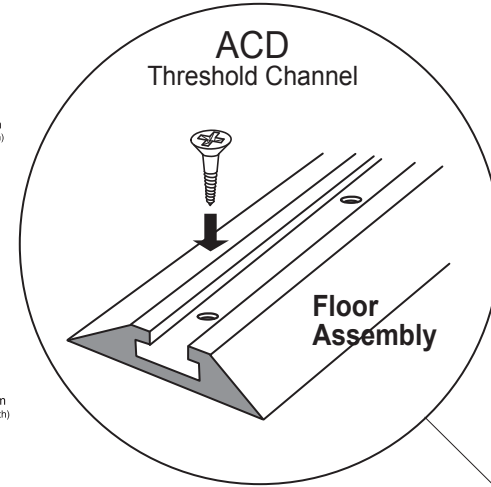


PH1005 Double-Sided Channel

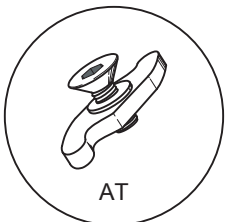
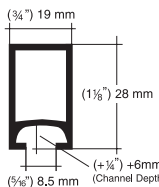
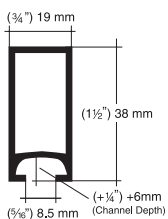
Wall Assembly



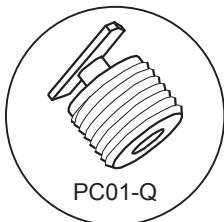
ACD Threshold Channel



Floor Assembly

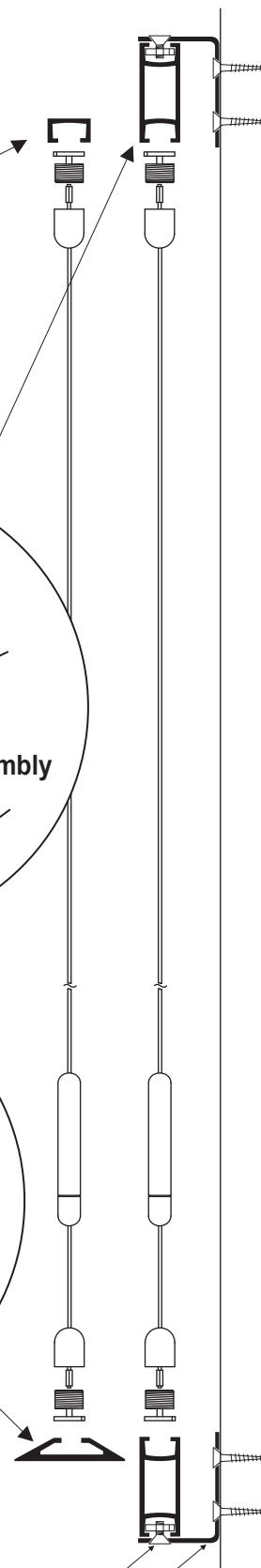


AT



PC01-Q

QUICK FIT TOGGLE - Brass toggle that screws into the top end of a cable or wall fitting. Unit fits directly into almost any make of channel.



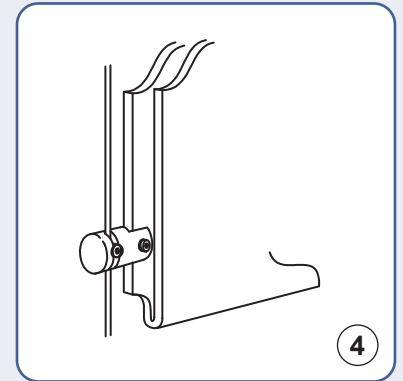
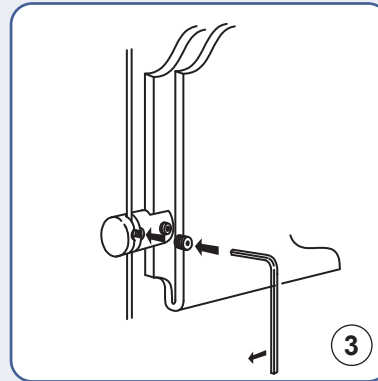
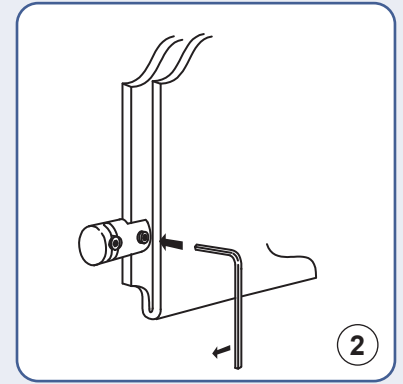
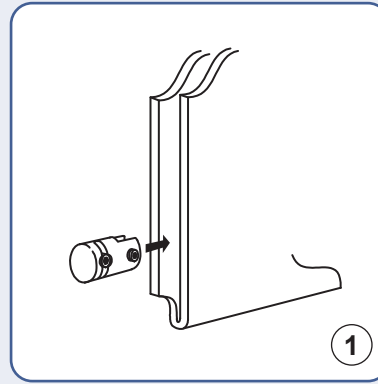
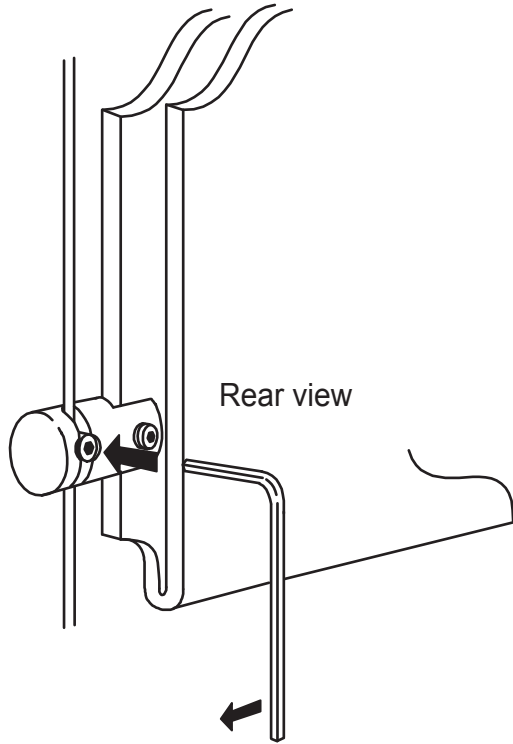
Toggle bolt
Brackets can be mounted either way up to suit installation

MOUNTING OPTIONS

DRAWN BY	IV	TITLE	Channel Assembly	
DATE	1/12/02	SCALE	NTS	TYPE
			Gallery Systems	DRWG REF.
				Instructions - PDF

1.5mm Cable Display Systems - INSTALLATION GUIDELINES

Vertical Panel Fixing CG03 Single Support



Vertical Panel Fixing CG04 Double Support

